

TITLE	SHEET	OF	SIZE	CODE	NUMBER	REV
DRAWING DIRECTORY H78Ø	2	4	B	DD	H78Ø-Ø	B

ELECTRICAL (SECTION 1)							MECHANICAL (SECTION 2)								
CUSTOMER PRINT SET	MFG. SET	FIND NO.	DRAWING NO.	REV	NO OF SHT	OPTION NO./FILE DATE	CUSTOMER PRINT SET	MFG. SET	FIND NO.	DRAWING NO.	REV	NO OF SHT	DESCRIPTION	OPTION NO./FILE DATE	
X		1	E-UA-H78Ø-Ø-Ø	B	2	POWER SUPPLY ASSY H78Ø			1	E-UA-H78Ø-Ø-Ø	B	2	POWER SUPPLY ASSY H78Ø		
							X			D-IA-7011411-Ø-Ø		1	CABLE, LOGIC		
							X			D-IA-7011584-Ø-Ø		1	CABLE, DC OUTPUT		
										D-IA-7011733-Ø-Ø		1	HARNESS, FAN		
							X			D-IA-7011658-Ø-Ø		1	HARNESS, INPUT		
										C-IA-7011667-Ø-Ø		1	TRANS ASSY		
										B-MD-7414712-0-0		1	SHIELD, UL		
										B-IA-7414691-0-0		1	JUMPER		
X		5	D-CS-5411776-0-1		5	CIRCUIT SCHEMATIC H78Ø P.S.	X			C-IA-7011668-0-0		1	FILTER		
										D-IA-7008612-0-0		1	CABLE, KEYBOARD		
X		7	D-CS-5411808-0-1		2	CIRCUIT SCHEMATIC LIGHT & SW BD.									
X		8	D-CS-5412143-Ø-1		2	CIRCUIT SCHEM BAIL-ME, MF BD.			2	E-IA-7011283-0-0		1	CHASSIS ASSY		
										B-MD-7414149-0-0		1	ROD, CENTER SUPPORT		
										B-MD-7414148-0-0		1	ROD, MAIN SUPPORT, FRONT		
										B-MD-7414147-0-0		1	ROD, CAP SUPPORT		
										B-MD-7414100-0-0		1	SUPPORT, FAN		
										B-MD-7414099-0-0		1	ROD, SIDE SUPPORT		
										B-MD-7414146-0-0		1	SUPPORT, FAN & CONTROL PANEL		
										B-MD-7414145-0-0		1	SUPPORT, CONN. PANEL		
										B-MD-7414098-0-0		1	GUIDE, CARD REAR		
										B-MD-7414097-0-0		1	GUIDE, CARD MIDDLE		
										B-MD-7414096-0-0		1	ROD, GUIDE		
										B-MD-7414095-0-0		1	ROD, BOTTOM SIDE, REAR		
										B-IA-7414205-0-0		1	BRKT. REAR FAN P.S. SUPPORT		
										B-MD-7414094-0-0		1	ROD, MIDDLE GUIDE		
										C-MD-7414093-0-0		1	BRKT. INPUT		
										B-MD-7414092-0-0		1	ROD, MAIN SUPPORT, MDI. & REAR		
										B-IA-7414204-0-0		1	SUPPORT STRAP, CAP, REAR		
										B-MD-7414091-0-0		1	SUPPORT STRAP, CAP, FRONT		
										B-IA-7414710-0-0		1	BRKT, FILTER		
										3	D-AD-7011569-0-0		1	REGULATOR ASSY	

CUSTOMER PRINT SET CODES
X = PRINT OF DOCUMENT INCLUDED IN PRINT SET
C = INCLUDES ALL PRINTS INDICATED ON DOCUMENT
S = CONFIDENTIAL AUTHORIZED SIGNATURE REQUIRED

TITLE

DRAWING DIRECTORY H78Ø

SHEET 3 OF 4

SIZE CODE
B DD

NUMBER
H78Ø-Ø

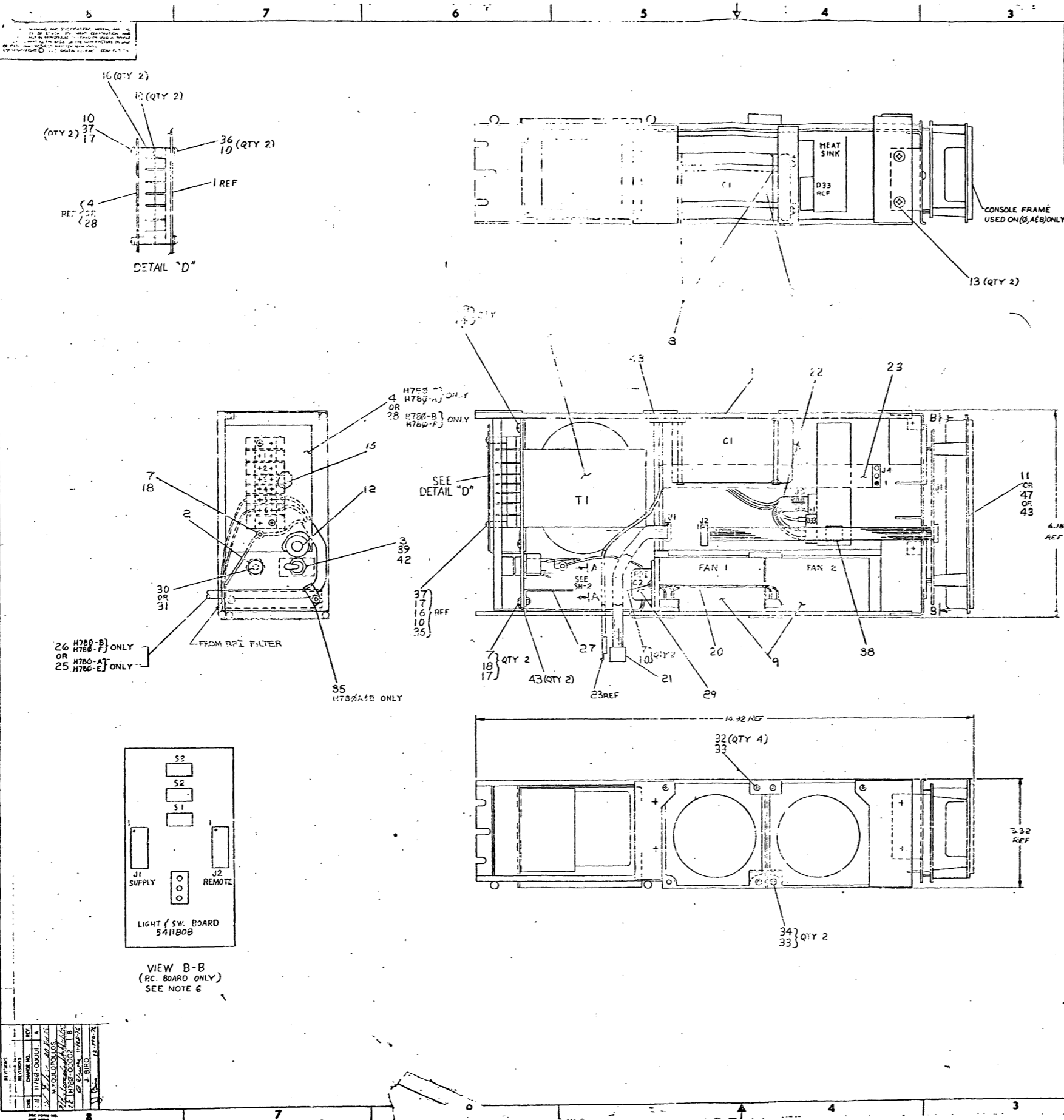
REV
B

DRB 108

digital EN-0100-0110-02(325)

CUSTOMER PRINT SET		MECHANICAL (SECTION 2)					CUSTOMER PRINT SET										
	MFG. SET	FIND NO.	DRAWING NO.	REV	NO OF SHT	DESCRIPTION	OPTION NO./FILE DATE		MFG. SET	FIND NO.	DRAWING NO.	REV	NO OF SHT	DESCRIPTION	OPTION NO./FILE DATE		
		4	C-IA-7011656-0-0		1	FRAME ASSY											
			D-MD-7414504-0-0		1	FRAME MODIFICATION											
			D-MD-7411744-0-0		1	WINDOW											
			C-IA-7008612-0-0		1	CABLE, (LOGIC BD. TO SW BD.)											
		5	D-CS-5411776-0-1		5	CIRCUIT SCHEMATIC H78Ø P.S.											
			D-AH-5411776-0-5			ASSY DRILL HOLE LAYOUT											
			B-MH-5411776-0-6			MODULE ECO HISTORY											
			5011775			ETCH CIRCUIT BOARD											
		6	C-AD-7011583-0-0		1	BRKT. & CHOKE ASSY											
			E-IA-7414323-0-0		1	BRKT., CHOKE SUPPORT											
		7	D-CS-5411808-0-1		2	CIRCUIT SCHEM. LIGHT & SW BD.											
			K-CO-5411808-0-4			X-Y COORDINATE HOLE LOCATION											
			D-AH-5411808-0-5			ASSY/DRILLING HOLE LAYOUT											
			B-MH-5411808-0-6			MODULE ECO HISTORY											
			5011807			ETCH CIRCUIT BOARD											
		8	D-CS-5412143-0-1		2	CIRCUIT SCHEMATIC BALL-ME, MF BD.											
			K-CO-5412143-0-4			X-Y COORD. HOLE LOC.											
			D-AH-5412143-0-5			ASSY. DRILL. HOLE LAYOUT											
			B-MH-5412143-0-6			MODULE ECO HISTORY											
			5012142			ETCH CIRCUIT BOARD											
		9	C-MD-7414416-0-0		1	SHIELD, POWER SUPPLY											
			A-SS-7414416-0-1		1	SILK SCREEN 115V											
			A-SS-7414416-0-2		1	SILK SCREEN 230V											
CUSTOMER PRINT SET CODES	X = PRINT OF DOCUMENT INCLUDED IN PRINT SET C = INCLUDES ALL PRINTS INDICATED ON DOCUMENT S = CONFIDENTIAL AUTHORIZED SIGNATURE REQUIRED						TITLE	DRAWING DIRECTORY H78Ø		SIZE CODE	SHEET 4 OF 4 B DD		NUMBER	H78Ø-Ø		REV	B

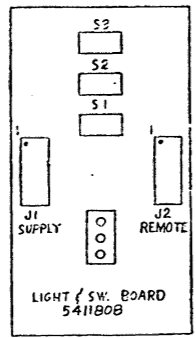
DRB 108



LEGEND	
NUMBER	VARIATION
H780-Ø	H780 W/NO LINE CORD 115V/230V
H780-A	11/Ø7 P.S. +5V 18A +12V 3A 115V
H780-B	11/Ø3 P.S. +5V 18A +12V 3A 230V
H780-C	H780 / NO CNSL. Ø NO LINE CORD
H780-E	H780 115V SLAVE CONSOLE
H780-F	H780 230V SLAVE CONSOLE

- NOTES:
- FOR 120V 2 JUMPERS ITEM #24, 5 AMP FUSE, ITEM #30, SHIELD (240V) ITEM #4, AND POWER CORD ITEM #26 ARE REQUIRED TO BE INSTALLED PER THIS DRAWING.
 - FOR 230V 1 JUMPER ITEM #24, 2.5 AMP FUSE ITEM #31, SHIELD (240V) ITEM #28 AND POWER CORD ITEM #26 ARE REQUIRED TO BE INSTALLED PER THIS DRAWING.
 - FOR WIRING DIAGRAM SEE SHEET 2.
 - SLIP ITEM #40 OVER FAN BEFORE SOLDERING & SLIP SHRINK TUBING OVER SOLDER CONN. & SHRINK IN PLACE +4 PLACES, ANY COLOR SHRINK ON.
 - SLIP 1 INCH OF ITEM #41 (ANY COLOR) OVER CONNECTING WIRES BEFORE SOLDERING TO FUSE HOLDER. AFTER TERMINATION IS COMPLETE, SLIP TUBING OVER JOINT AND SHRINK.
 - VIEW B-B WHICH IS PART OF ITEM #11 IS SAME FOR ITEM #47 EXCEPT THERE ARE NO SWITCHES IN THIS ASSY. DISREGARD VIEW B-B FOR H780-C VARIATION.

QTY	DESCRIPTION	REF	QTY	DESCRIPTION	REF
1	REGULATOR ASSY	D-AD-701155-2-0	48		
1	REGULATOR ASSY	D-AD-701155-3-0	47		
1	JUMPER, TB-FUSE	B-1A-7415283-0-0	46		
1	JUMPER, TB-SW	B-1A-7415281-0-0	45		
1	JUMPER, FUSE-SW	B-1A-7415282-0-0	44		
3	COLE TIE	9007880	43		
1	RING LOCKING	9009782-00	42		
1	TUBE, SHRINK	91-2732	41		
1	TUBING, SHRINK	9107305	40		
1	TABLE SWITCH (ON-OFF)	9009314-D1	39		
1	TAPE DOUBLE SIDED	9007834-00	38		
2	SCR, PH.HD. PAN #6-32 X.25	9006020-1	37		
2	SCR, PH.HD. PAN #6-32 X.42	9006022-1	36		
1	CLAMP, .31 I.D.	9007882	35		
2	SCR, PH.HD PAN #4-40 X.38	9006011-1	34		
6	NUT, KEP #4-40	9006437	33		
4	SCR, PH. BZ* FL.HD #4-40 X.38	9006011-2	32		
1	FUSE 2.5 AMP 250 V	9008227	31		
1	FUSE 5 AMP 250 V	9007821	30		
1	FILTER	C-1A-701155-2-0	29		
1	SHIELD P.S. (240V)	C-1A-741446-1	28		
1	SHIELD, UL.	B-1B-7414710-0	27		
1	CABLE, INPUT POWER 240V	C-1A-70120750-0	26		
1	CABLE, INPUT POWER 115V	C-1A-7012075-1-0	25		
1	JUMPER	B-1A-741469-0-0	24		
1	CABLE, DC OUTPUT	B-1A-7011554-0-0	23		
1	HARNES, INPUT	C-1A-7011554-0-0	22		
1	CABLE, LOGIC	C-1A-701111-Ø-K-0	21		
1	HARNES, FAN	D-1A-7012833-0-0	20		
4	SCR, PH.HD TRUSS #10-32 X.56	9006071-3	19		
3	NUT, KEP #6-32	9009243	18		
2	WASHER, FLAT, 15/16" ID, 3/32" TH	9006453	17		
2	SPRINGER THREADED #6-32 X.38	9006844	16		
1	TERMINAL BLOCK 6 POS.	9006905	15		
4	NUT, KEP 10-32	9006445	14		
2	SCREW FL.HD #6-32 X.100"	9006039-01	13		
1	CRUMET RUBBER .50 ID.	9007016	12		
1	REGULATOR ASSY	D-AD-7011554-0-0	11		
3	WASHER, INT. TOOTH #6	9006623	10		
2	FAN, BOXER 35 CFM 115V	1210719	9		
2	TIE CABLE .19 W X 11.0	9009617	8		
5	SCREW PH.HD PAN #6-32 X.38	9006022-1	7		
1	CAPACITOR, 19,000µFD, 40V	1009966	6		
1	TRANSFORMER ASSY	C-1A-7011667-0-0	5		
1	SHIELD P.S. (120V)	C-1A-741446-0-0	4		
1	TOGGLE SWITCH P.B.S.T	1209722	3		
1	FUSE HOLDER 20A, 250V	1211348-00	2		
1	CHASSIS ASSY, POWER SUPPLY	E-1A-7012833-0-0	1		

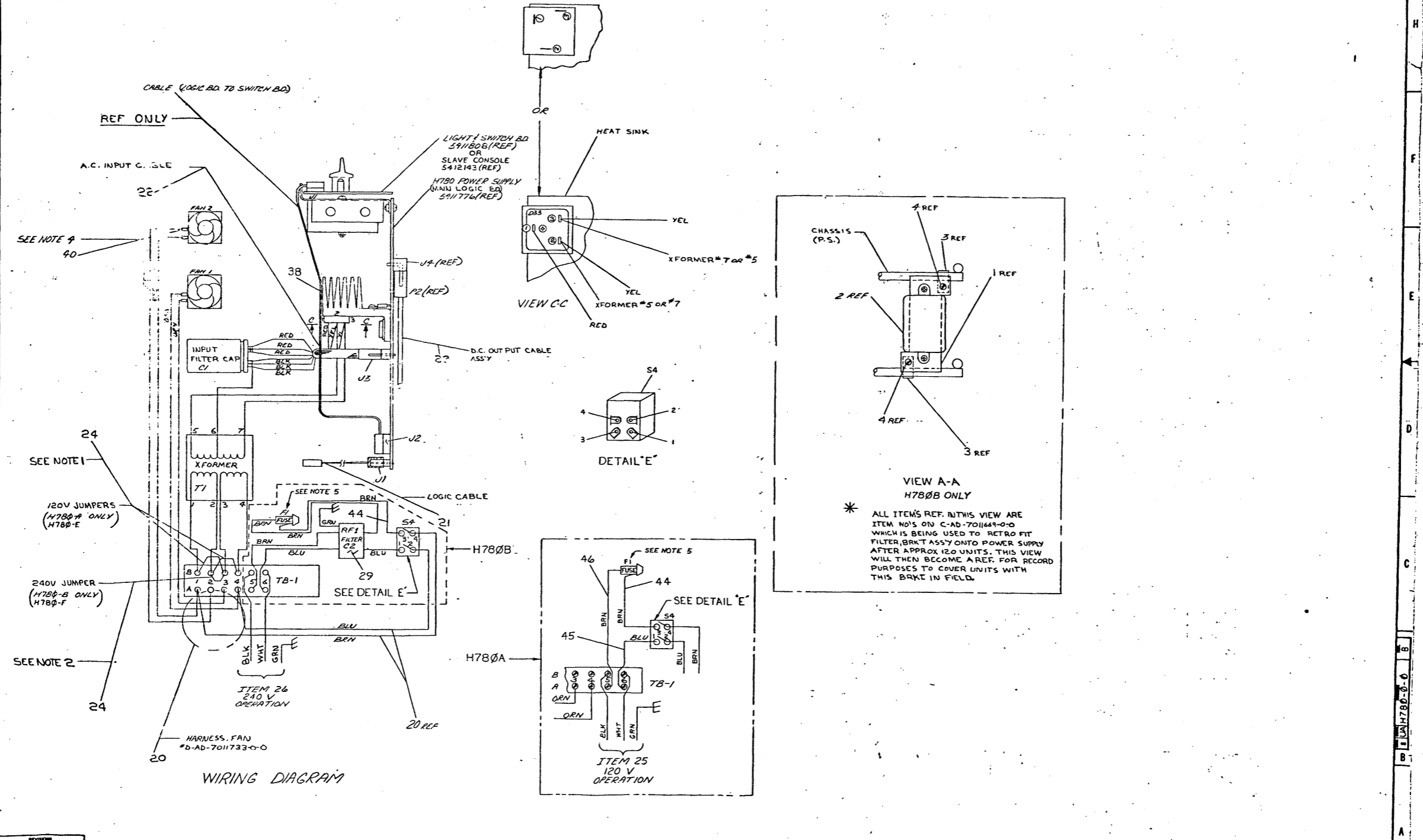


VIEW B-B
(PC BOARD ONLY)
SEE NOTE 6

REV	DATE	BY	CHKD	DESCRIPTION
1				
2				
3				
4				
5				
6				
7				
8				
9				
10				
11				
12				
13				
14				
15				
16				
17				
18				
19				
20				
21				
22				
23				
24				
25				
26				
27				
28				
29				
30				
31				
32				
33				
34				
35				
36				
37				
38				
39				
40				
41				
42				
43				
44				
45				
46				
47				
48				

UNLESS OTHERWISE SPECIFIED DIMENSIONS ARE IN INCHES	DATE	11/23	BY	J. B. B.	CHKD	J. B. B.
CLASS OF FINISH	1	2	3	4	5	6
QUANTITY	1	2	3	4	5	6
VARIATION	1	2	3	4	5	6
DESCRIPTION	POWER, SUPPLY ASSY H780					
SCALE	1/4"					
SHEET	1 OF 2					

THIS DRAWING AND SPECIFICATIONS HEREIN ARE THE PROPERTY OF THE UNITED STATES GOVERNMENT AND WILL BE REPRODUCED OR TRANSMITTED IN ANY FORM OR BY ANY MEANS, ELECTRONIC OR MECHANICAL, INCLUDING PHOTOCOPYING, RECORDING, OR BY ANY INFORMATION STORAGE AND RETRIEVAL SYSTEM, WITHOUT PERMISSION IN WRITING FROM THE UNITED STATES GOVERNMENT.



* ALL ITEMS REF. IN THIS VIEW ARE ITEM NO'S ON C-AD-7011649-0-0 WHICH IS BEING USED TO RETRO FIT FILTER/BKRT ASSY ONTO POWER SUPPLY AFTER APPROX 120 UNITS. THIS VIEW WILL THEN BECOME A REF. FOR RECORD PURPOSES TO COVER UNITS WITH THIS BKRT IN FIELD.

REV.	CHG.	NO.	REV.

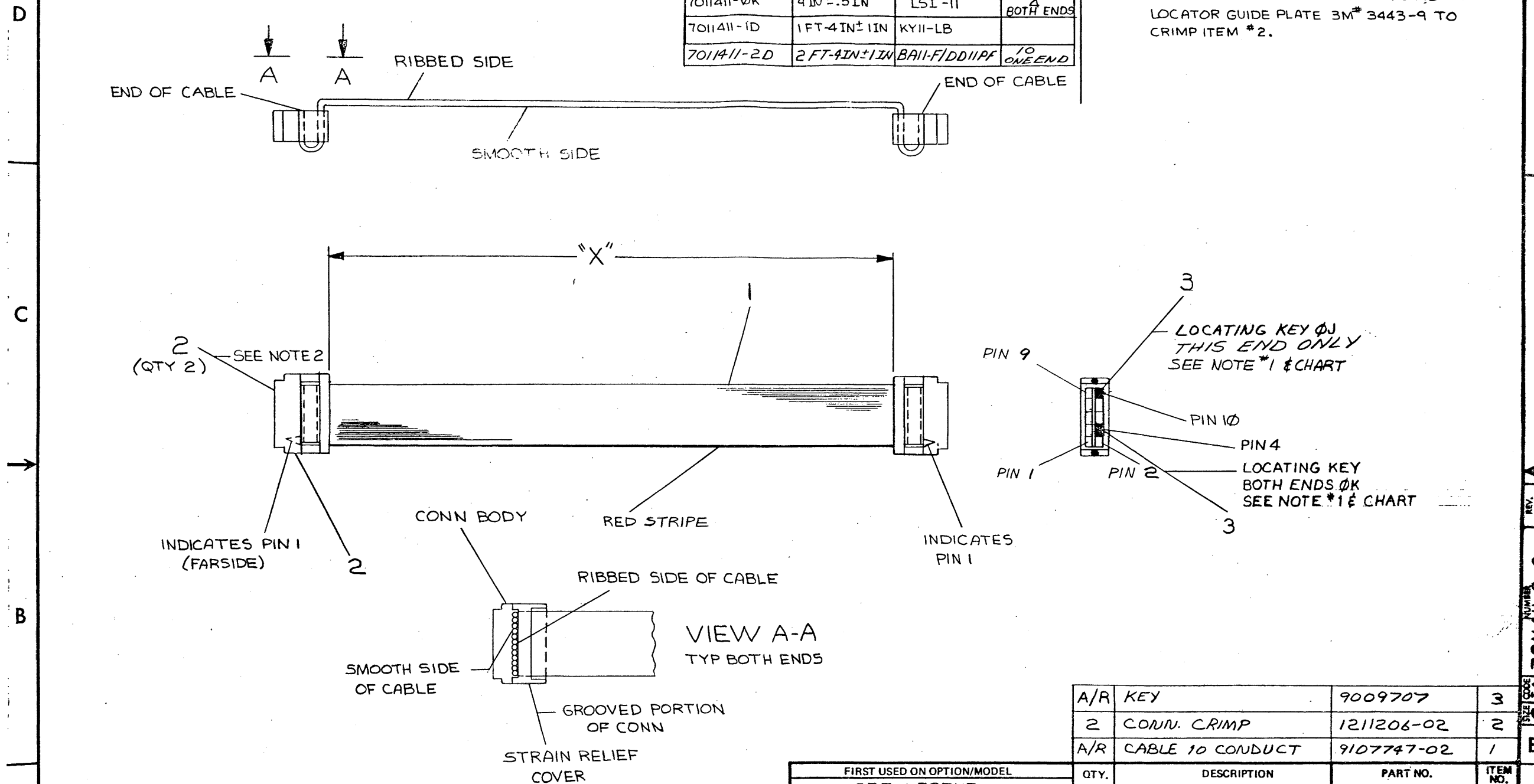
TITLE POWER SUPPLY ASSY H780
 NUMBER EUAH780-0-0
 SHEET 2 OF 2
 REV. B.

"THIS DRAWING AND SPECIFICATIONS HEREIN ARE THE PROPERTY OF DIGITAL EQUIPMENT CORPORATION AND SHALL NOT BE REPRODUCED OR COPIED OR USED IN WHOLE OR IN PART AS THE BASIS FOR THE MANUFACTURE OR SALE OF ITEMS WITHOUT WRITTEN PERMISSION. COPYRIGHT © 1975 DIGITAL EQUIPMENT CORPORATION"

LEGEND			
NUMBER	DIM "X" VARIATION	USED ON	KEY PIN
7011411-0J	8 IN ± .5 IN	BA11-L OR K	10 ONE END
7011411-0K	9 IN ± .5 IN	LSI-11	BOTH ENDS
7011411-1D	1 FT-4 IN ± 1 IN	KY11-LB	
7011411-2D	2 FT-4 IN ± 1 IN	BA11-F/DD11PF	10 ONE END

NOTES:

1. INSERT KEY IN PROPER CONNECTOR PIN AND BREAK OFF TAB.
2. USE CRIMP PRESS 3M*3440 OR 3445 AND LOCATOR GUIDE PLATE 3M*3443-9 TO CRIMP ITEM #2.



REVISIONS	
CHK	CHANGE NO. REV.
DP	7011411-00001 A
	<i>P. Novak 27 Oct 75</i>
	<i>M. Koulopolos</i>
EX	7011411-00002 B
	<i>R. Barry 1-19-76</i>
	<i>R. Barry</i>

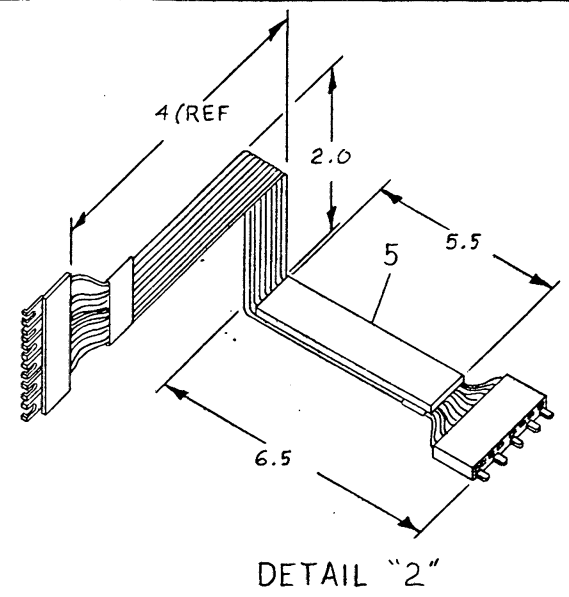
FIRST USED ON OPTION/MODEL			
SEE LEGEND			
DIMENSIONAL TOLERANCE			
DIMENSIONS ARE UNLESS OTHERWISE SPECIFIED			
MILLIMETERS	INCHES	ANGLES	
X,XX = ±0.10	.XXX = ±0.005	±0° 30'	
X,X = ±0.05	.XX = ±0.02		
X = ±0.2	.X = ±0.1		
THIRD ANGLE PROJECTION	REMOVE BURRS AND BREAK SHARP CORNERS SURFACE QUALITY ✓	PARTS LIST	
MATERIAL SEE PARTS LIST		TITLE	
FINISH		CABLE, CONSOLE/BACKPLANE	
SCALE NONE		SIZE CODE	NUMBER
SHEET 1 OF 1		C IA	7011411-0-0
		DIST.	REV. B

A/R	KEY	PART NO.	ITEM NO.
	KEY	9009707	3
2	CONN. CRIMP	1211206-02	2
A/R	CABLE 10 CONDUCT	9107747-02	1

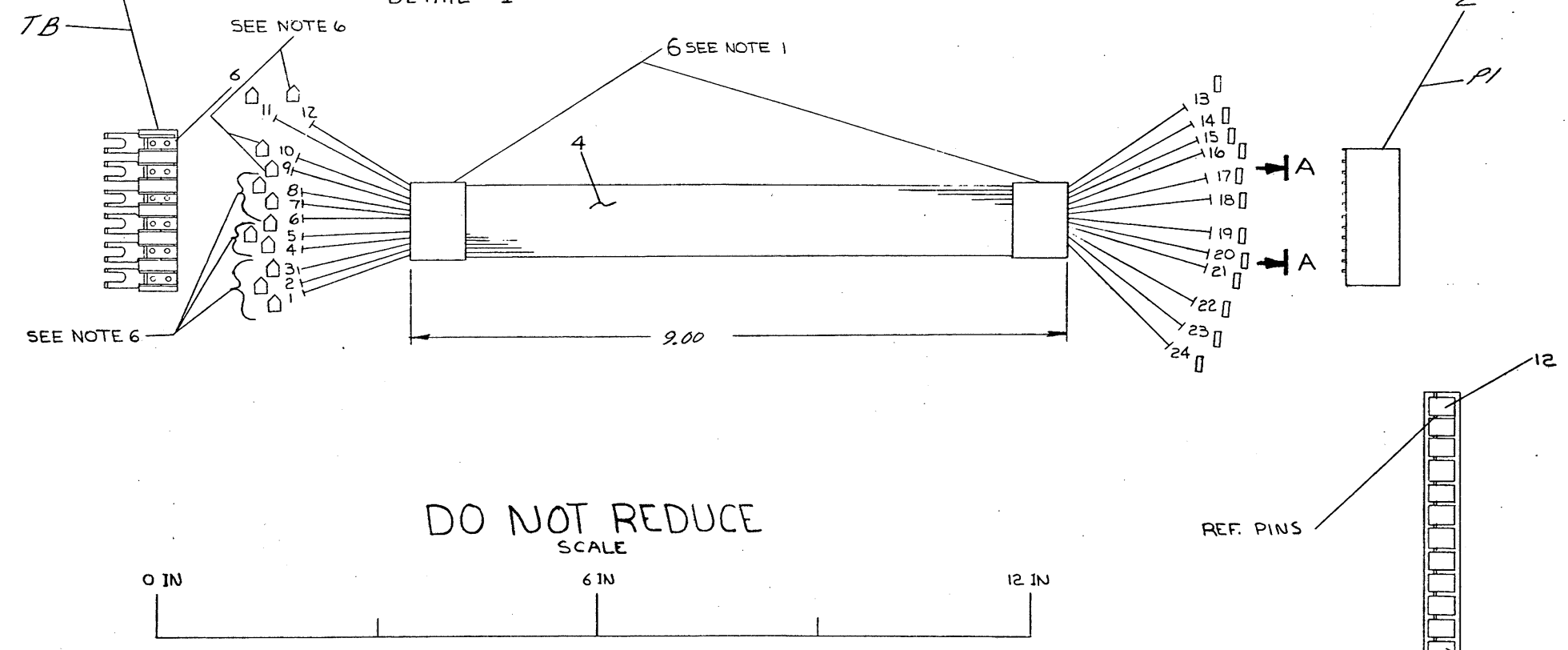
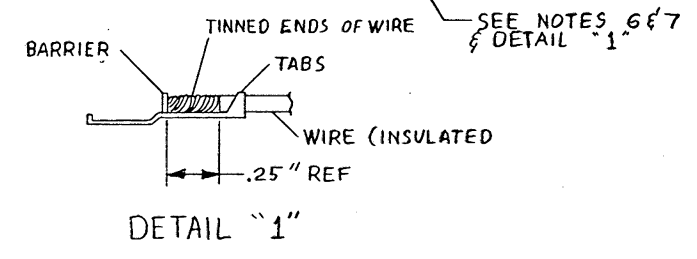
SIZE CODE C IA
 NUMBER 7011411-0-0
 REV. B

"THIS DRAWING AND SPECIFICATIONS HEREIN ARE THE PROPERTY OF DIGITAL EQUIPMENT CORPORATION AND SHALL NOT BE REPRODUCED OR COPIED OR USED IN WHOLE OR IN PART AS THE BASIS FOR THE MANUFACTURE OR SALE OF ITEMS WITHOUT WRITTEN PERMISSION. COPYRIGHT © 1972 DIGITAL EQUIPMENT CORPORATION"

WIRE TABLE								
ITEM NO	AWG	COLOR	FROM CONNECTION	POINT	TERM	TO CONNECTION	POINT	TERM
4	18	RED	TB-2	1	TWIST TOGETHER	PI-1	24	3
		BRN		2	TIN & SOLDER	PI-2	23	
		BLK		3		PI-3	22	
		WHT	TB-3	4		PI-4	21	
		GRY		5		PI-5	20	
		VIO		6		PI-6	19	
		BLU	TB-4	7		PI-7	18	
		GRN		8		PI-8	17	
		YEL		9		PI-9	16	
		DRN	TB-5	10		PI-10	15	
		RED		11	TIN & SOLDER	PI-11	14	
		4	18	BRN	TB-5	12		PI-12



- NOTES:
- CUT LENGTH OF ITEM 4 APPROXIMATELY 19 INCHES LONG. WRAP ONE WRAP OF TAPE, ITEM 6 IN TWO PLACES APPROXIMATELY 5 INCHES FROM EACH END AS SHOWN.
 - PEEL WIRES 13 THROUGH 24 APART DOWN TO TAPE.
 - PEEL WIRES 1 THROUGH 12 APART IN GROUPS OF 1, 2, OR 3, AS SHOWN DOWN TO TAPE.
 - FASTEN TO NAIL BOARD AND CUT TO PROPER LENGTHS.
 - STRIP AND CRIMP ITEM 3 TO WIRES 13 THROUGH 24.
 - STRIP ENDS OF WIRES 1 THROUGH 12 1/4" TO 3/8" BACK AND TWIST END OF INDICATED GROUPS TOGETHER. (1,2,3; 4,5; 6,7,8; 9,10,11,12) TIN ENDS.
 - PLACE TINNED ENDS ON FANNING STRIP (ITEM 1) TO BARRIER (SEE DETAIL 1) AND SOLDER. (SEE WIRE TABLE FOR CONNECTIONS.) BEND TABS OVER WIRE TO PROVIDE GOOD STRAIN RELIEF. INSULATION SHOULD BE UNDER TABS.
 - PLACE WIRES 13 THROUGH 24 IN ITEM 2 AS INDICATED IN WIRE TABLE AND REFERENCE VIEW AA.
 - CUT AND ASSEMBLE ITEM 5 TO CABLE AS SHOWN ON SHEET 2.
 - FOLD CABLE AS SHOWN ON DETAIL 2.



SYM	QTY	DESCRIPTION	DWG./PART NO.	ITEM NO.
		WR TAPE, ELECTRIC, BLK PLASTIC	9009507	6
		WR TAPE, ADHESIVE BACK	9009087	5
19"		WR CABLE, 12 WIRE	1700057	4
12		TERM, CRIMP	1212203-00	3
1		CONN, HSG 12 PIN	1212620-01	2
1		CONN STRIP 6 LUG	1212698-00	1

THIRD ANGLE PROJECTION	DRN: <i>[Signature]</i> 7/2/75	FIRST USED ON	<i>[Signature]</i> 11/83
REMOVE BURRS AND BREAK SHARP CORNERS	CHK'D: <i>[Signature]</i> 9/6/75	ENG: <i>[Signature]</i> 9/1/75	PROJ. ENG: <i>[Signature]</i> 9/1/75
DO NOT SCALE DWG	PROD: <i>[Signature]</i> 9/1/75	TITLE: CABLE, DC OUTPUT	
MATERIAL: SEE PARTS LIST	E-UR-H788-0-0	SIZE: D	CODE: IA
FINISH: H	SCALE: 1/1	SHEET: 1 OF 1	DIST.:

REV. CHANGE NO. CHK. DEC FORM NO. DED 100-C

DIGITAL 7011584-0-0

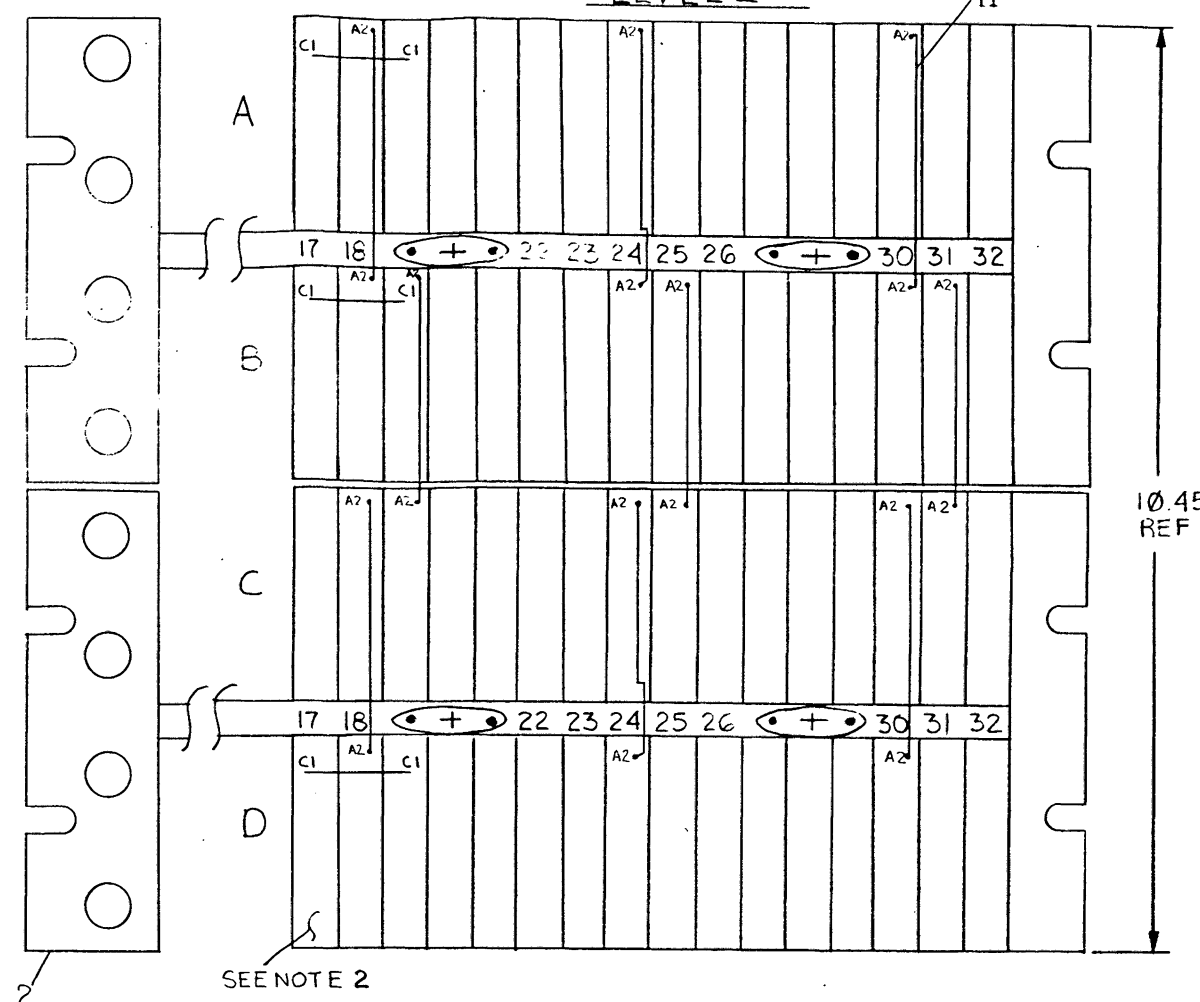
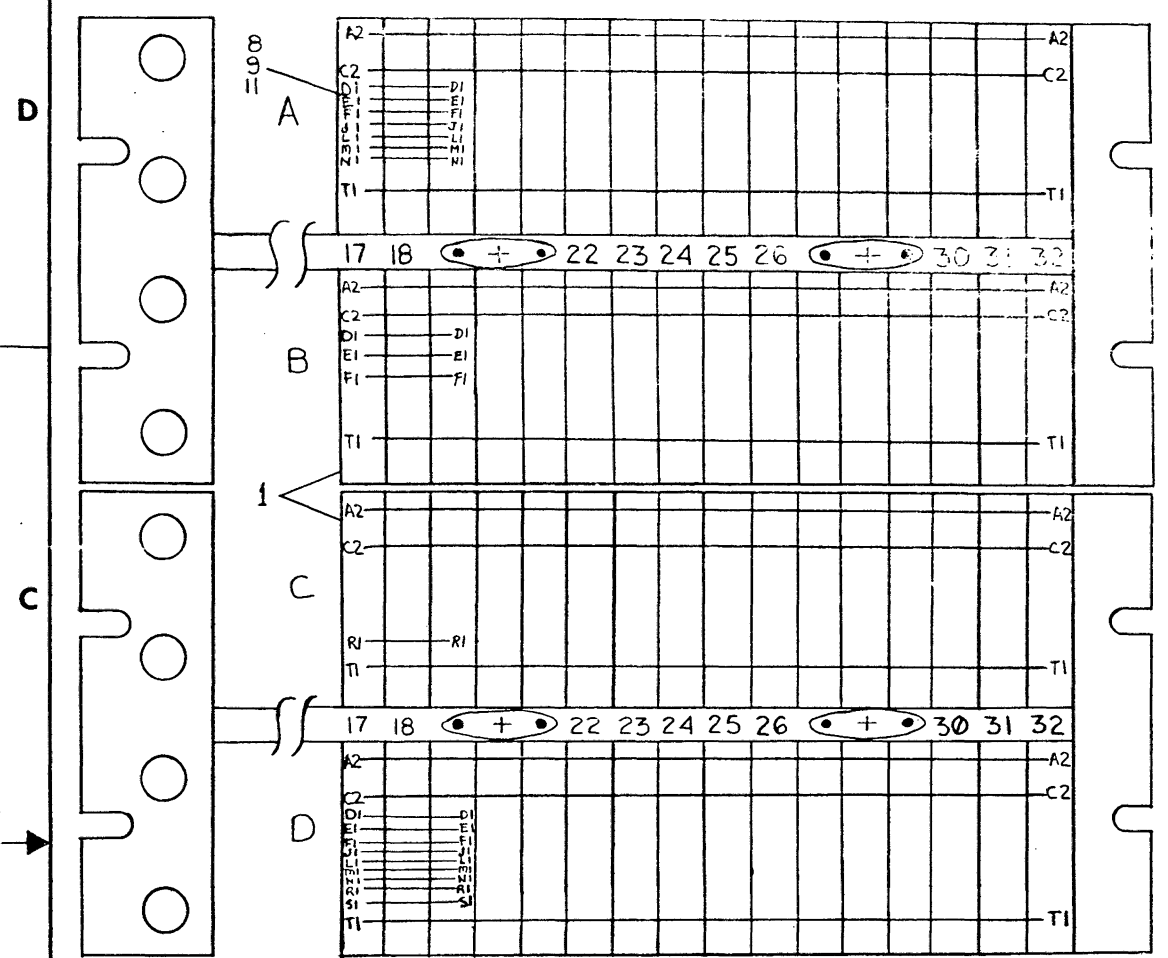
THIS DRAWING AND SPECIFICATIONS, HEREIN, ARE THE PROPERTY OF DIGITAL EQUIPMENT CORPORATION AND SHALL NOT BE REPRODUCED OR COPIED OR USED IN WHOLE OR IN PART AS THE BASIS FOR THE MANUFACTURE OR SALE OF ITEMS WITHOUT WRITTEN PERMISSION. COPYRIGHT © 1975 DIGITAL EQUIPMENT CORPORATION.

LEVEL 1

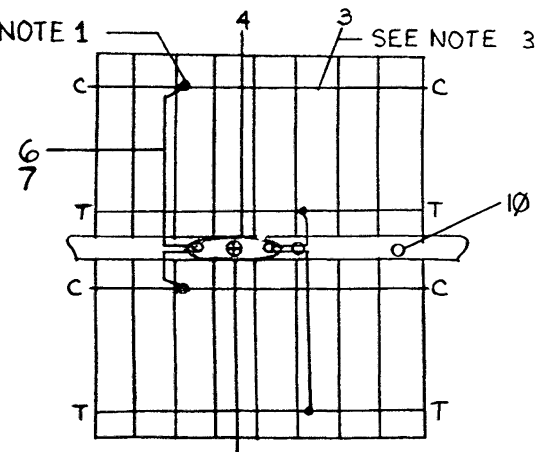
LEVEL 2

NOTES:

1. CONNECTIONS ON ITEMS 3&6 TO BE LOCATED AT MINIMUM PRACTICAL HEIGHT ABOVE BLOCKS.
2. USE YELLOW WIRE (ITEM #8) FOR MACHINE WRAPPED AND BLUE WIRE (ITEM #9) FOR HAND WRAPS.
3. WHERE BUSSING IS TWO LEVEL LEAVE 1/8 IN BETWEEN BUSS STRIPS.



SEE NOTE 1 SEE NOTE 3



DETAIL A 4 PLACES

QTY	DESCRIPTION	DWG./PART NO.	ITEM NO.
11	#24 AWG WIRE, SOLID, GRN	91-07688-55	11
10	SCR, PHL HD, POSIDRIVE 8/32 x 5/16	90-06120-06	10
9	#30 AWG, SOLID, KYNAR (BLU)	91-05740-60	9
8	#30 AWG, SOLID, KYNAR (BL)	91-05740-44	8
7	#22 TUBING WHT	91-07265-09	7
6	BUSS WIRE 22 AWG	91-07460-01	6
5	SCR PHL HD TAPTITE 8/32 x 3/16	90-06418-01	5
4	GND LUG SHAKEPROOF	90-07597	4
3	BUS STRIPS	74-08428	3
2	MOUNTING BARS	1943	2
1	288 PINS SLOTTED BLOCK	12-10258	1

QUANTITY & VARIATION	DESCRIPTION	DWG./PART NO.	ITEM NO.
UNLESS OTHERWISE SPECIFIED DIMENSIONS ARE IN INCHES			
ANGLES 90° 30'	CLASS OF ACCURACY	NOMINAL DIMENSION RANGE INCHES	
SURFACE QUALITY IN	(CHECK ONE)	OVER 0 TO 0.2	OVER 0.2 TO 1.2
MICROINCHES	MEDIUM	OVER 1.2 TO 4.0	OVER 4.0 TO 12.0
	PREFERRED	OVER 12.0 TO 40.0	OVER 40.0 TO ∞
		±.004	±.008
		±.012	±.016
		±.025	±.04
		±.063	±0.1
THIRD ANGLE PROJECTION	DRN: R.D.C. 11/17/75	FIRST USED ON	DIGITAL
REMOVE BURRS AND BREAK SHARP CORNERS	CHK'D: D.C. 11/17/75	TITLE	MA20-TA WIRED ASSY
DO NOT SCALE DWG	ENG. R. 11/13/76	SIZE CODE	B-DD-MA20-TA-0
MATERIAL	PROD. 11/13/76	NUMBER	DAD 701165000
FINISH	NEXT HIGHER ASSY.	SCALE	NONE
		SHEET	1 OF 1
		DIST.	

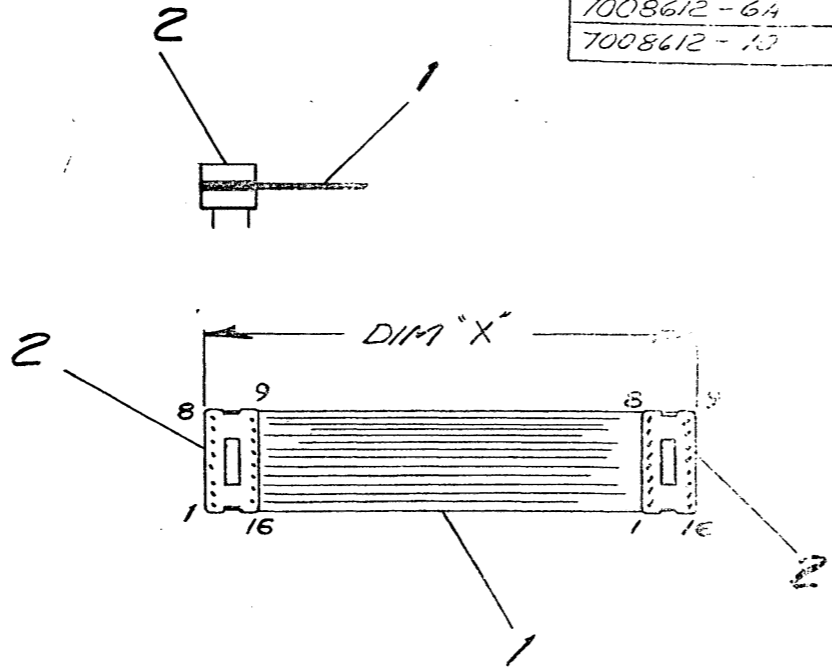
REV.	
CHANGE NO.	
REVISIONS	
CHK	

This drawing and specifications, herein, are the property of Digital Equipment Corporation and shall not be reproduced or copied in whole or in part as the basis for the manufacture or sale of items without written permission. 1972

LEGEND	
NUMBER	VARIATION
7008612-ØD	4 IN
7008612-1B	14 IN.
7008612-1F	18 IN.
7008612-Ø3	3 FT.
7008612-ØF	6 IN.
7008612-ØK	9 IN. ± 1 IN.
7008612-4A	49 IN. ± 1 IN.
7008612-ØM	11 IN
7008612-Ø2	2 FT ± 1 IN.
7008612-6A	6 FT, 1 IN. ± 2 IN
7008612-12	10 FT, ± 2 IN

NOTES:

- TOOLS REQUIRED FOR ASSEMBLY:
1. ASSEMBLY PRESS MODEL #3440 (3M CO)
2. CABLE SWAGE MODEL #3437 (3M CO)
3. CUTTING BLADE #3449 (3M CO)
4. PLATEN & LOCATOR PLATE #3443-13 (3M CO)
5. HEIGHT GAUGE #3436 (3M CO)



CHIK	CHANGE NO.	REV.
PK	LK 40-00001	A
	<i>H. Towne 8-8-72</i>	
	CARLSON	
	<i>H. Carlson 6-8-72</i>	
PM	GT 40-00001	B
	<i>H. Towne 10-18-72</i>	
	CRABBE	
	<i>Crabbe e.s.f.</i>	
RB	7008612-00001	C
	<i>CR. O'Neil 6-12-74</i>	
	J. KALAGHER	
	<i>J. Kalagher 6-17-74</i>	
ETZ	7008612-00002	D
	<i>ETZ 9-26-74</i>	
	J. KALAGHER	
	<i>J. Kalagher 9-26-74</i>	
RB	7008612-00003	E
	<i>R. B. 2-20-75</i>	
	D. MUTNANSKY	
	<i>D. Mutnansky 2-20-75</i>	
RB	LA 36-00111	F
	<i>R. L. 2-21-75</i>	
	A. GERSHINOW	
	<i>A. Gershinow 2-21-75</i>	
RB	7008612-00004	H
	<i>R. B. 9-11-75</i>	
	A. COHAN	
	<i>A. Cohan 9-11-75</i>	
RB	7008612-00005	J
	<i>R. B. 8-19-76</i>	
	R. CAMELIO	
	<i>R. Camelio 26-JAN-76</i>	
RB	7008612-00006	K
	<i>R. B. 2-4-76</i>	
	J. BIRO	
	<i>J. Biro 16-FEB-76</i>	
	J. BIRO	
	<i>J. Biro 20-FEB-76</i>	

FIRST USED ON OPTION/MODEL	QTY.	DESCRIPTION	PART NO.	ITEM NO.
VT05	2	SOCKET 16 CONTACTS 3RD	1210722	2
	1	CABLE 28 AWG 3200 16 COND	2407238	1

UNLESS OTHERWISE SPECIFIED DIMENSION IN INCHES. TOLERANCES	DATE 10-1-71	digital EQUIPMENT CORPORATION MAYNARD, MASSACHUSETTS TITLE CABLE, KEYBOARD
DECIMALS .XXX = .005	DATE 10-4-71	
ANGLES ± 0° 30'	DATE 10-14-71	
REMOVE BURRS AND BREAK SHARP CORNERS SURFACE QUALITY ✓	DATE 10-14-71	
MATERIAL	DATE 10-14-71	
FINISH	SCALE 1-1	SIZE CODE C IA
	SHEET 1 OF 1	NUMBER 7008612-0-0
		REV. B

SIZE CODE C IA NUMBER 7008612-0-0 REV. B

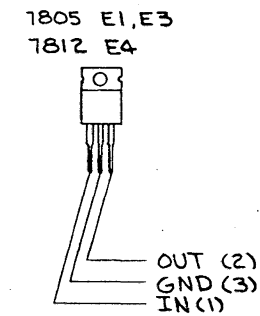
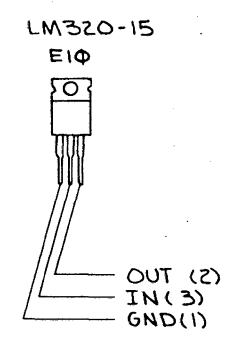
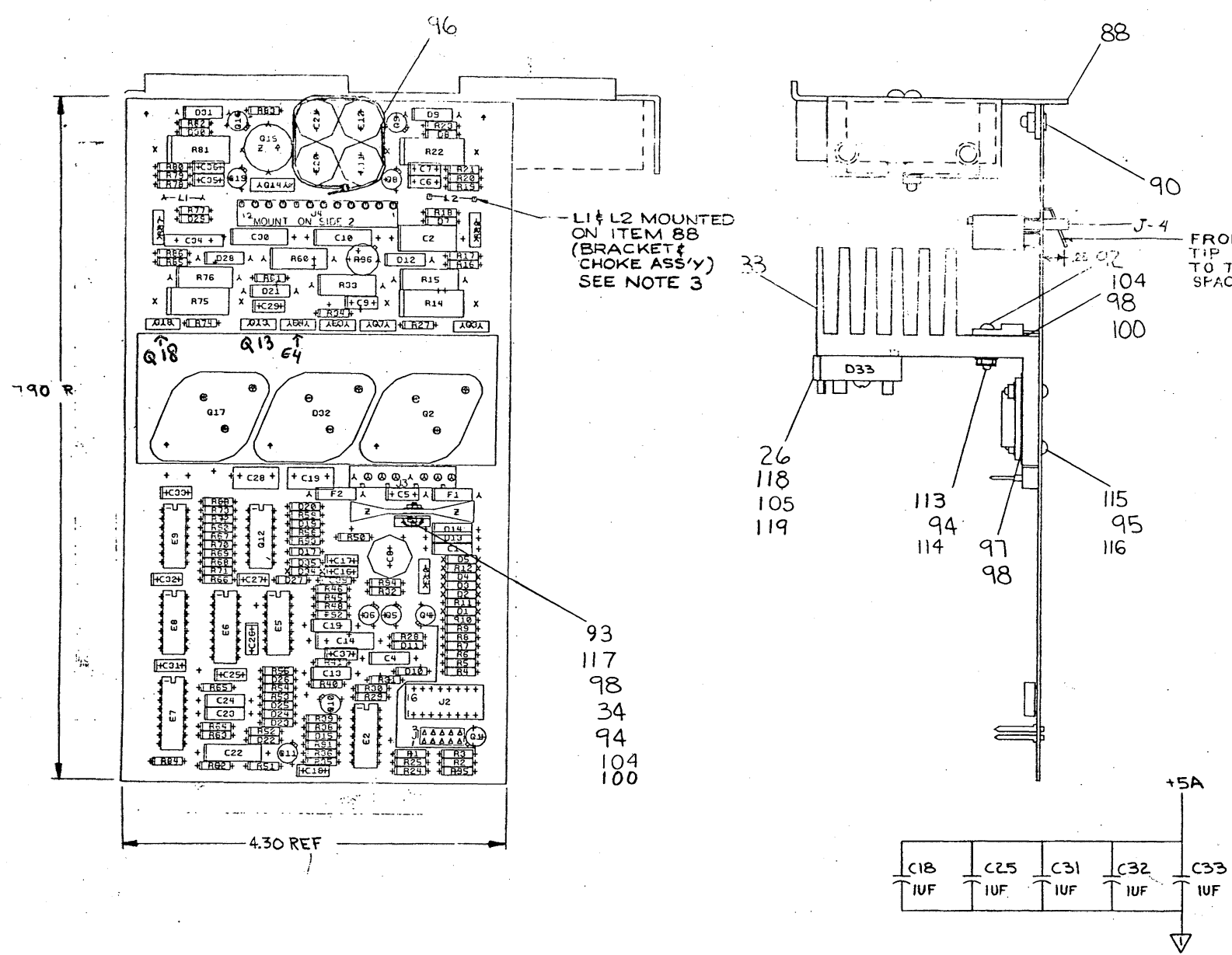
THIS DRAWING AND SPECIFICATIONS, HEREIN, ARE THE PROPERTY OF DIGITAL EQUIPMENT CORPORATION AND SHALL NOT BE REPRODUCED OR COPIED OR USED IN WHOLE OR IN PART AS THE BASIS FOR THE MANUFACTURE OR SALE OF ITEMS WITHOUT WRITTEN PERMISSION. DIGITAL EQUIPMENT CORPORATION. COPYRIGHT © 1975

NOTES:

- UNLESS OTHERWISE SPECIFIED ALL RESISTORS ARE 1/4W ±5%.
- COMPONENTS SHOWN INSIDE DASHED LINES ARE EXTERNAL TO THE PC BOARD.

NOTES:

- TIN LEADS ON L1 & L2 AFTER STRIPPING



FROM BOTTOM END OF THE TIP OF THE CONNECTOR PIN TO THE BOARD SHALL BE A SPACE OF .25" ±1/16" -0.

L1 & L2 MOUNTED ON ITEM 88 (BRACKET & CHOKE ASS'Y) SEE NOTE 3

LM339 E5	12	3
LM339 E2	3	12
IC TYPE	GND	+5V
	-15V	+28V

GND AND 5V ARE USUALLY PIN 7 AND 14 RESPECTIVELY EXCEPTIONS ARE STATED ABOVE

IC PIN LOCATIONS

SEMICONDUCTOR CONVERSION CHART

DRN	W. LUFKIN	DATE	8/15/75
CHKD.	W. LUFKIN	DATE	8/23/75
ENG.	W. LUFKIN	DATE	8/27/75
PROJ. ENG.	W. LUFKIN	DATE	8/27/75
PROD.	W. LUFKIN	DATE	8/27/75
NEXT HIGHER ASSY	D-AD-7011569-0-0	SCALE	1 OF 5

QTY	REF. DESIGNATION	DESCRIPTION	PART NO.	ITEM NO.
PARTS LIST				
ETCH BOARD REV. C				
digital				
TITLE H780 POWER SUPPLY				
D-AD-7011569-0-0				
SIZE CODE NUMBER REV. DCS 5411776-0-1 E				

D E S I G N NUMBER DCS 5411776-0-1

THIS DRAWING AND SPECIFICATIONS, HEREIN, ARE THE PROPERTY OF DIGITAL EQUIPMENT CORPORATION AND SHALL NOT BE REPRODUCED OR COPIED OR USED IN WHOLE OR IN PART AS THE BASIS FOR THE MANUFACTURE OR SALE OF ITEMS WITHOUT WRITTEN PERMISSION. COPYRIGHT © 1975 DIGITAL EQUIPMENT CORPORATION

PARTS LIST

QTY	REF DESIGNATION	DESCRIPTION	PART NO.	ITEM NO.
		ASSY/DRILLING HOLE LAYOUT	D-AH-5411776-0-5	1
		MODULE ECO HISTORY	B-MH-5411776-0-6	2
		PRINTED CIRCUIT BOARD	5011775-00	3
1	C23	CAP, 39MF 10V STA	1000064-00	4
3	C10,C22,C30	CAP, 39MF 10V STA	1000076-00	5
6	C6,C7,C26,C27,C35,C36	CAP, .01MF CERAMIC DISC	1001610-01	6
1	C1	CAP, .15MF 35V STA	1002180-00	7
1	C8	CAP, 180MF 50V 672D	1012607-02	8
3	C11,C12,C21	CAP, 1200MF 63V 672D	1012607-01	9
				10
2	C14,C15	CAP, 6.8MF 35V STA	1005306-00	11
4	C4,C13,C24,C39	CAP, .68MF 35V STA	1009964-00	12
1	C2	CAP, .47MF	1010031-05	13
2	C9,C29	CAP, .22MF 50V	1010274-00	14
1	C20	CAP, 560MF 20V 672D	1012607-00	15
				16
6	D7,D8,D29,D30,D34,D35	DIODE, D662	1100113-00	17
12	D10,D11,D15,D17,D19,D22-D27,D20	DIODE, D664	1100114-00	18
1	D9	DIODE, 1N752A	1102808-00	19
				20
1	D16	DIODE, 1N756A	1103441-00	21
1	D31	DIODE, 1N964B 13V 5% ZENER	1109988-00	22
2	D12,D28,D21	DIODE, 1N15F	1112594-00	23
1	D32	DIODE, NAE NSR8117	1110715-00	24
5	D1-D5	DIODE, 1N4005	1110967-00	25
1	D33	DIODE, NSS35B2 RECTIFIER	1112588-00	26
1	F2	FUSE, 5A	1205747-00	27
1	F1	FUSE, 15A	1210929-00	28
1	J2	SOCKET, IC, DUAL IN LINE (16 PIN)	1211813-02	29
1	J1	PIN, STAKING, PC BOARD	9009149-00	30
1	J3	HEADER, 8PIN	1212619-00	31
1	J4	HEADER, RIGHT ANGLE, 12 PIN	1212204-02	32
1		HEAT SINK, COMPONENT MOUNTING	1212485-00	33
1		HEAT SINK (FOR 7805, E1)	1212531-00	34
				35
1	R19	RES, 33Ω 1/4W 5% CC	1300197-00	36
2	R20,R17	RES, 47Ω 1/4W 5% CC	1300202-00	37
1	R18	RES, 100Ω 1/4W 5% CC	1300229-00	38
				39
1	R59	RES, 470Ω 1/4W 5% CC	1300316-00	40

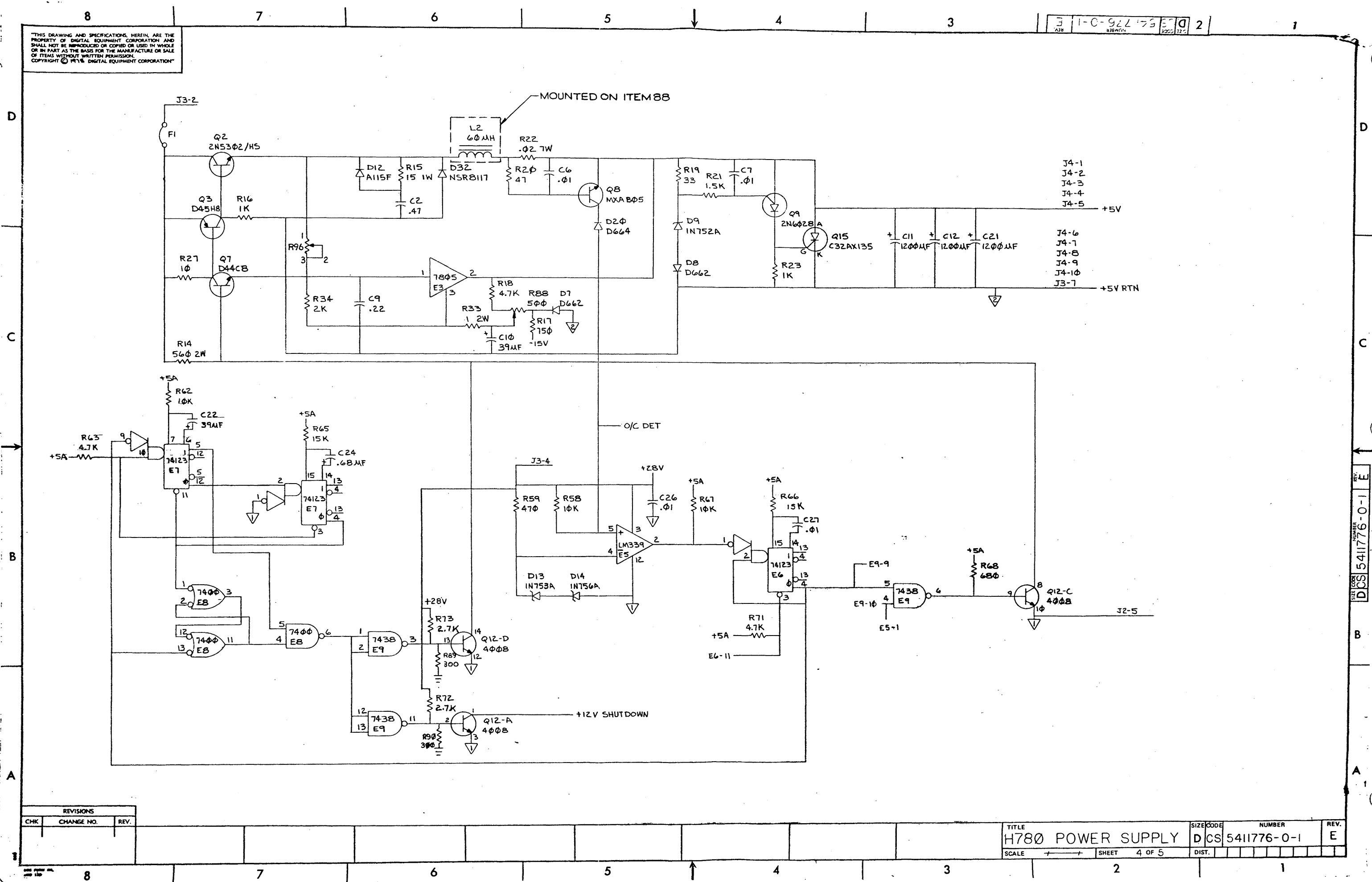
QTY	REF DESIGNATION	DESCRIPTION	PART NUMBER	ITEM NO.
2	R21,R80	RES, 1.5KΩ 1/4W 5% CC	1300391-00	41
4	R24,R72,R73,R95	RES, 2.7KΩ 1/4W 5% CC	1300426-00	42
2	R17,R86	RES, 750Ω 1/4W 5% CC	1301401-00	43
5	R18,R63,R70,R71,R50	RES, 4.7KΩ 1/4W 5% CC	1300447-00	44
18	R4,R7,R11,R94,R29,R35,R41,R84,R45,R46,R53,R54,R71,R58,R62,R67,R77,R92	RES 10KΩ 1/4W, 5%, CC	1300479-00	45
3	R65,R64,R66	RES, 15KΩ 1/4W 5% CC	1300496-00	46
1	R38	RES, 120KΩ 1/4W 5% CC	1300539-00	47
3	R27,R36,R74	RES, 10Ω 1/4W 5% CC	1301317-00	48
3	R30,R89,R90	RES, 300Ω 1/4W 5% CC	1301425-00	49
2	R14,R75	RES, 560Ω 2W 5% CC	1301927-00	50
1	R91	RES, 270Ω 1/4W 5% CC	1301972-00	51
2	R39,R55	RES, 47KΩ 1/4W 5% CC	1302177-00	52
2	R34,R61	RES, 2KΩ 1/4W 5% CC	1302388-00	53
1	R32	RES, 8KΩ 1/4W 1% CC	1305129-00	54
2	R2,R31	RES, 200KΩ 1/4W 1% CC	1304842-00	55
8	R3,R5,R6,R8,R9,R25,R51,R52	RES, 10KΩ 1% MF	1303312-00	56
4	R16,R23,R82,R85	RES, 1KΩ 1/4W 5% CC	1300365-00	57
3	R68,R69,R70	RES, 680Ω 1/4W 5% CC	1301424-00	58
2	R40,R93	RES, 12.1KΩ 1% MF	1303313-00	59
2	R33,R60	RES, 1Ω 2W 5% WW	1305428-00	60
1	R81	RES, .06Ω 5W 3% WW	1310876-02	61
				62
1	R83	RES, 5.1Ω 1/4W 5% CC	1309422-00	63
2	R87,R88	RES, 500Ω POT 10T	1309811-00	64
2	R15,R76	RES, 15Ω 1W	1309729-00	65
1	R22	RES, .02Ω 5W 3%	1310876-00	66
				67
1	R66	RES, 6.8KΩ 1/4W 5% CC	1301423-00	68
1	Q17	TRANS, DEC 3715	1503068-00	69
1	Q14	TRANS, 2N4441	1505867-00	70
1	Q12	TRANS, 4008 QUAD CORE DRIVER	1510015-00	71
1	Q2	TRANS, 2N5302/HS	1510196-00	72
2	Q3,Q18	TRANS, D45H8	1510708-00	73
2	Q7,Q13	TRANS, D44C8	1510421-00	74
3	Q1,Q4,Q11	TRANS, MXAA05	1510705-00	75
1	Q10	TRANS, MXAA55	1510706-00	76
2	Q9,Q16	TRANS, 2N6028	1510877-00	77
1	Q15	TRANS, C32AX135	1510928-00	78
2	Q5,Q6	TRANS, E108 (2N5433)	1511686-00	79

QTY	REF DESIGNATION	DESCRIPTION	PART NUMBER	ITEM NO.
2	Q8,Q19	TRANS, MXAB05	1510705-01	80
1	E8	IC 7400	1905575-00	81
2	E6,E7	IC 74123	1910436-00	82
1	E9	IC 7438	1911219-00	83
2	E2,E5	IC LM339	1912108-00	84
2	E1,E3	IC 7805	1912536-00	85
1	E4	IC 7812	1912048-02	86
1	E10	IC LM320-15	1912792-00	87
1		BRACKET CHOKE ASSY	GAD-7011583-00	88
6		WASHER, NYLON	9006421	89
2		SCR, PHL PANHD #4-40x.38 LG	9006011-01	90
1		SCR, SELF TAPPING #6-32x.316	9009070-02	91
6		SCR, PHL PANHD #6-32x.625 LG	9006025-1	92
AVR		EPOXY, 2 PART ECO-BOND	9009298	93
7		NUT #6-32x.25	9008185-0	94
6		SCR, PHL PANHD #6-32x.56 LG	9007793-1	95
1		TIE, CABLE	9007032-00	96
3		INSULATOR, TRANSISTOR	9008419-00	97
AVR		THERMAL COMPOUND	9008268-00	98
AVR		WIRE, JUMPER #30 AWG	9105740-55	99
7		INSULATOR, TRANSISTOR	9008491	100
1	D13	DIODE, ZENER, 1N753A	1102421-00	101
3	R12,R28,R48	RES 1.0K, 1% 1/4W	1303114-00	102
1	W1	JUMPER	9009185	103
7		WASHER, RECTANGULAR	9009769	104
1		WASHER, FLAT	9006660	105
1		SPRING LOCK WASHER #8	9006650	106
1	C34	CAP 0.1MF DISC	1000030-00	107
1		EYELETS	1210844	108
1	R96	RES, 100K POT	1309150-14	109
AVR		TUBING, BRASS	9107714	110
1		SCREW, PANHD #6-32x.44 LG	9006029-1	111
AVR		TUBING, INSULATIVE	9107280	112
6		METAL FLAT WASHER #6-32	9006653	113
6		NYLON WASHER .375 OD	9006708	114
6		NUT #6-32 X 1/16" THK	9008957	115
6		SPLIT LOCK WASHER #6	9007801	116
1		SCREW #6-32 X 3/8 LG	9006022-1	117
1		SCREW #8-32 X 7/8 LG	9006042-1	118
1		#8 EXT TOOTH LOCK WASHER	9008072-	119
11	C19,C28,C37,C16-C18,C25,C31-C33,C5	CAP 1.0MF	1010274-02	120

REVISIONS		
CHK	CHANGE NO.	REV.

TITLE	H780 POWER SUPPLY	SIZE CODE	D CS	NUMBER	5411776-0-1	REV.	E
SCALE		SHEET	2 OF 5	DIST.			

THIS DRAWING AND SPECIFICATIONS HEREIN ARE THE PROPERTY OF DIGITAL EQUIPMENT CORPORATION AND SHALL NOT BE REPRODUCED OR COPIED OR USED IN WHOLE OR IN PART AS THE BASIS FOR THE MANUFACTURE OR SALE OF ITEMS WITHOUT WRITTEN PERMISSION. COPYRIGHT © 1976 DIGITAL EQUIPMENT CORPORATION



REVISIONS		
CHK	CHANGE NO.	REV.

TITLE	H780 POWER SUPPLY	SIZE CODE	D	NUMBER	CS 5411776-0-1	REV.	E
SCALE	+	SHEET	4 OF 5	DIST.			

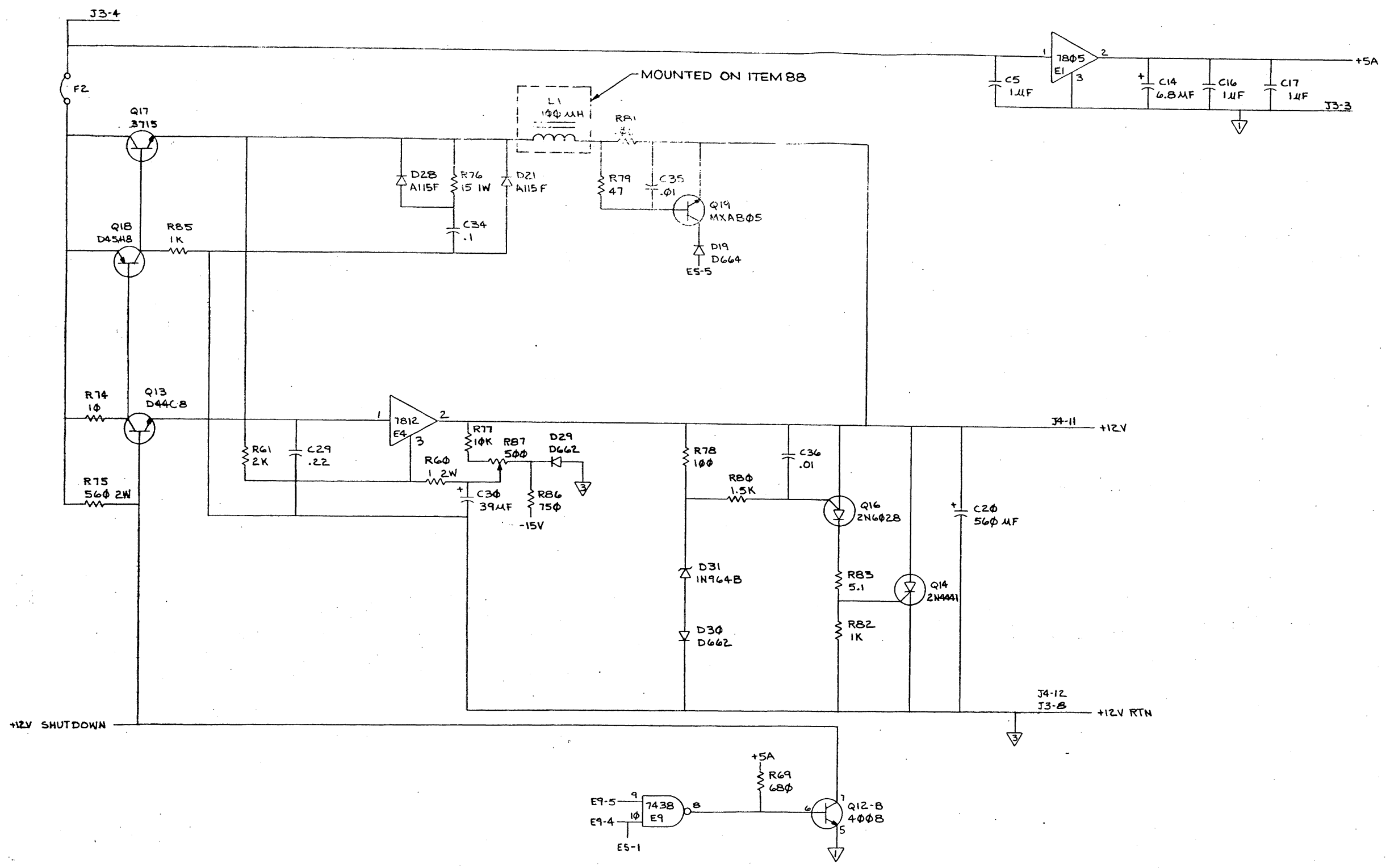
DCS 5411776-0-1

THIS DRAWING AND SPECIFICATIONS, HEREIN, ARE THE PROPERTY OF DIGITAL EQUIPMENT CORPORATION AND SHALL NOT BE REPRODUCED OR COPIED OR USED IN WHOLE OR IN PART AS THE BASIS FOR THE MANUFACTURE OR SALE OF ITEMS WITHOUT WRITTEN PERMISSION. COPYRIGHT © 1975 DIGITAL EQUIPMENT CORPORATION.

3 1-G-922149 DCS 5411776-0-1 E

D
C
B
A

D
C
B
A



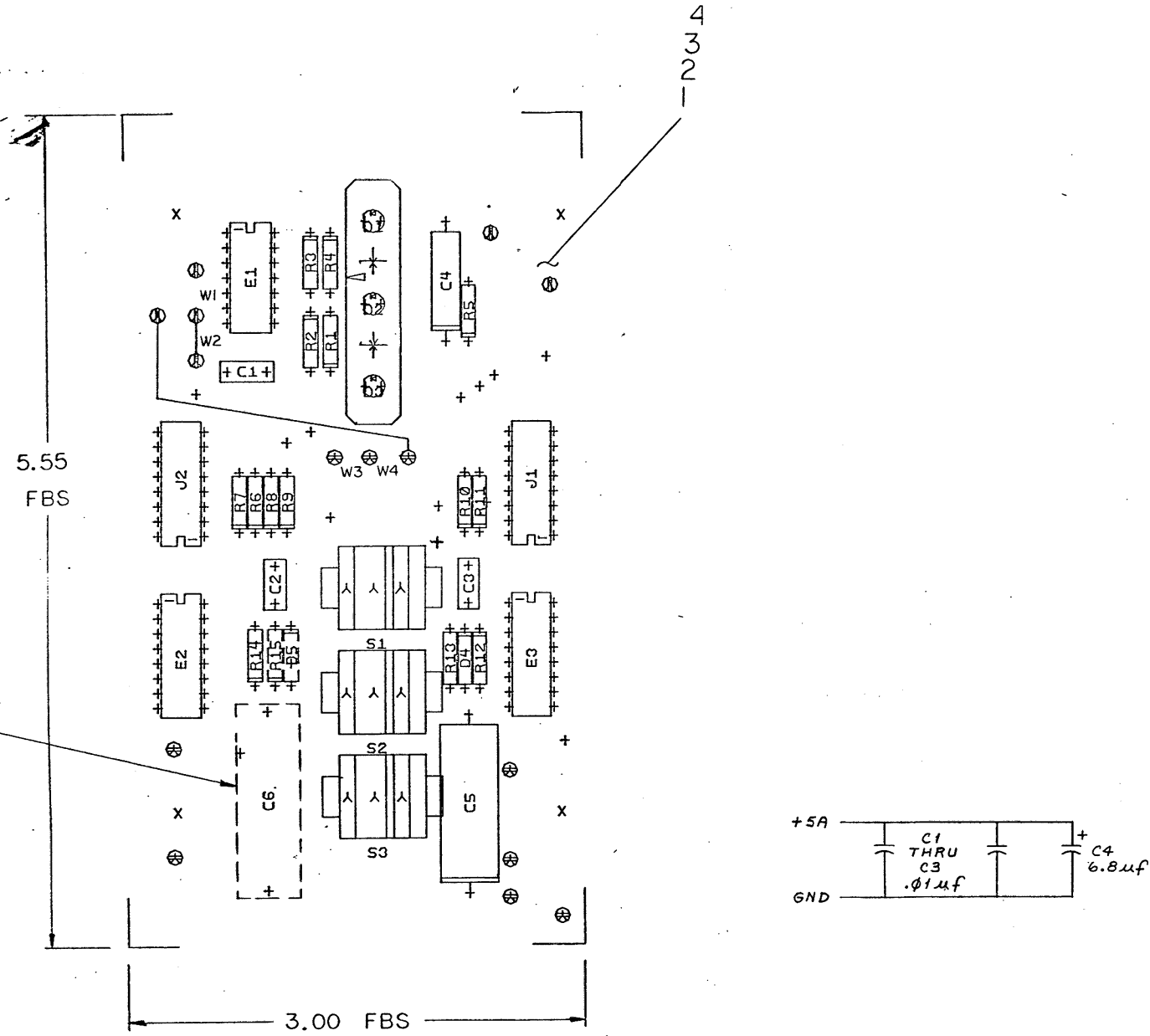
REVISIONS		
CHK	CHANGE NO.	REV.

TITLE: H780 POWER SUPPLY
 SIZE CODE: DCS
 NUMBER: 5411776-0-1
 REV: E
 SCALE: + + +
 SHEET: 5 OF 5
 DIST:

"THIS DRAWING AND SPECIFICATIONS, HEREIN, ARE THE PROPERTY OF DIGITAL EQUIPMENT CORPORATION AND SHALL NOT BE REPRODUCED OR COPIED OR USED IN WHOLE OR IN PART AS THE BASIS FOR THE MANUFACTURE OR SALE OF ITEMS WITHOUT WRITTEN PERMISSION. COPYRIGHT © 1975 DIGITAL EQUIPMENT CORPORATION"

NOTES:

1. DOTTED COMPONENTS C6, D5 AND R15 ARE ENGINEERING OPTION. VALUE TO BE DETERMINED AT LATER DATE.
2. ADD GREEN WIRE ITEM 23 FROM TP2 SPLIT LUG TO W4 SPLIT LUG NEXT TO R10.
3. W1, W3, AND W4 ARE OPTIONAL JUMPERS NOT TO BE INSERTED AT THIS TIME.



QTY	REF. DESIGNATION	DESCRIPTION	PART NO.	ITEM NO.
1		ETCHED CIRCUIT BOARD	5011807	1
REF		X-Y COORDINATE HOLE LOC.	K-CD-591048-01	2
REF		ASSY, DRILL HOLE LAYOUT	D-AM-5911808-01	3
REF		MODULE HISTORY	B-MH-5911808-01	4
1	E1	IC DEC 7406	1910741	5
1	E3	IC DEC 74123	1910936	6
1	E2	IC DEC 8838	1911117	7
10	R1, R5, R7-R13, R4	RES. 2K, 1/4W, 5%	1302388	8
2	R2, R3	RES. 220Ω, 1/4W, 5%	1300271	9
1	R14	RES. 39K, 1/4W, 5%	1302514	10
2	J1, J2	IC SOCKET	1211813	11
1		L.E.D. HOLDER	1210940-2	12
3		SWITCH LEVERS	1210786	13
3	S1, S2, S3	SWITCH, S.P.D.T.	1210870	14
1	D4	DIODE D6G9	1100114	15
3	D1, D2, D3	DIODE, LIGHT EMITTING	1110864	16
1	C5	CAP, 22μf, 10%, 50V	1011328	17
2		SCREW, PH. HD, SELF TAP #6X.25	9008230-1	18
15		SPLIT LUG	9006735	19
3	C1, C2, C3	CAP, 0.1μf 100V	1001610-01	20
1	C4	CAP, 6.8μf 35V 10%	1003306	21
A/R	W2,	UNINSULATED #22 BUS WIRE	9107560-01	22
A/R		WIRE, #30 AWG	9105740-55	23
1	R6	RES. 10K 1/8W 1%	1303312	24

IC TYPE	GND	+5A
IC DEC 74123	8	76
IC DEC 8838	8	16

IC PIN LOCATIONS

ARE USUALLY PIN 7 AND 14 RESPECTIVELY. DIMENSIONS ARE STATED ABOVE

FIRST USED ON OPTION MODEL H780

ETCH BOARD REV. C

DRN. DATE 5-22-75

CHK'D. DATE 9-8-75

ENG. DATE 9-8-75

PROJ. ENG. DATE 9-8-75

PROD. DATE 9-8-75

NEXT HIGHER ASSY D-AD-7011569-0-0

SCALE 1 OF 2

SHEET 1 OF 2

REVISIONS

CHG. CHANGE NO. REV.

SEMICONDUCTOR CONVERSION CHART

DEC. NO. EIA NO. DEC. NO. EIA NO.

digital

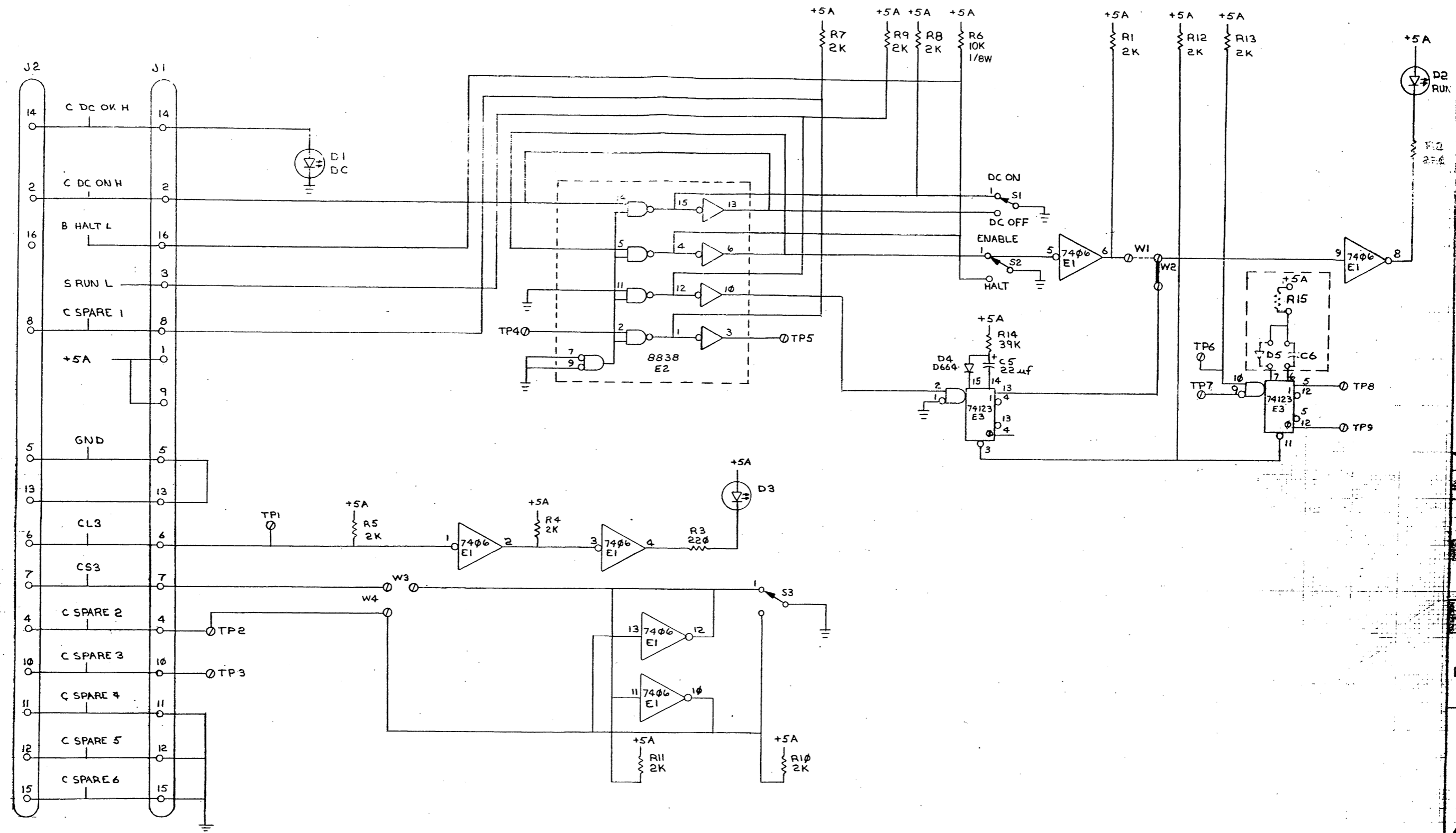
TITLE LIGHTS & SWITCHES BOARD

SIZE CODE NUMBER REV. DCS 5411808-0-1 C

REV. NO. C

DCS 5411808-0-1

THIS DRAWING AND SPECIFICATIONS, HEREIN, ARE THE PROPERTY OF DIGITAL EQUIPMENT CORPORATION AND SHALL NOT BE REPRODUCED OR COPIED OR USED IN WHOLE OR IN PART AS THE BASIS FOR THE MANUFACTURE OF SALE OF ITEMS WITHOUT WRITTEN PERMISSION. COPYRIGHT © 1975 DIGITAL EQUIPMENT CORPORATION



REVISIONS		
CHK	CHANGE NO.	REV.

